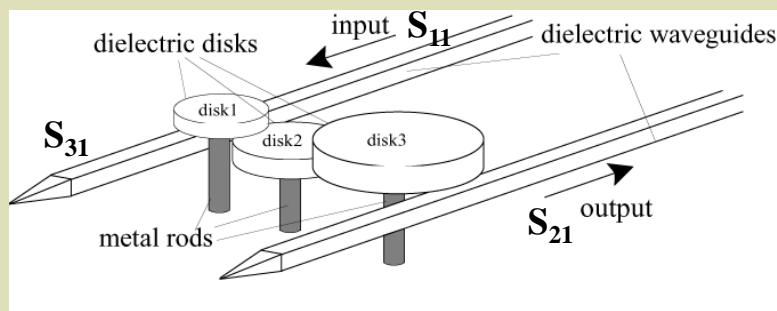
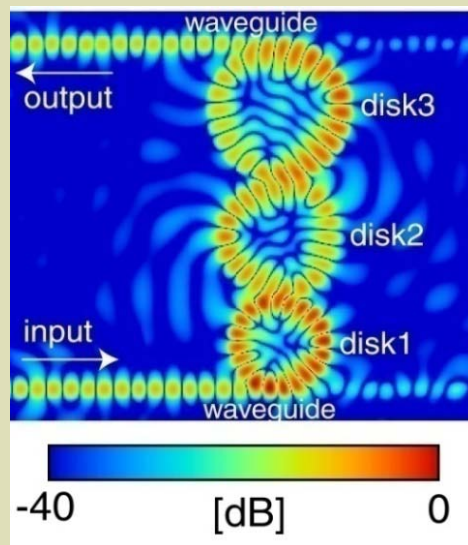


Millimeter wave passive circuits

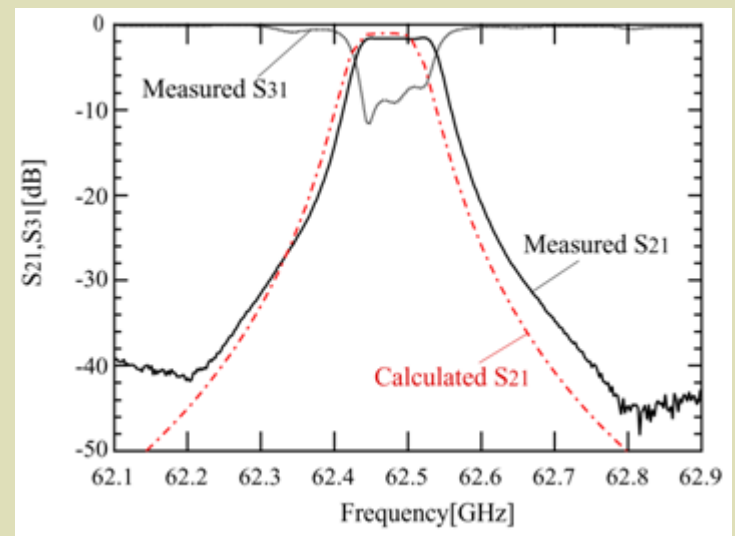
60GHz BPF using WG mode resonator



(a) Filter structure

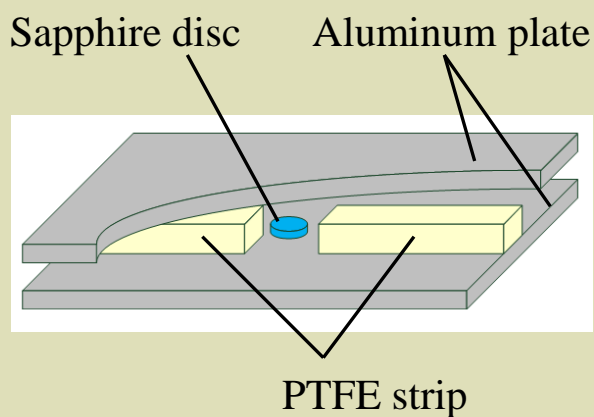


(b) E-field distribution

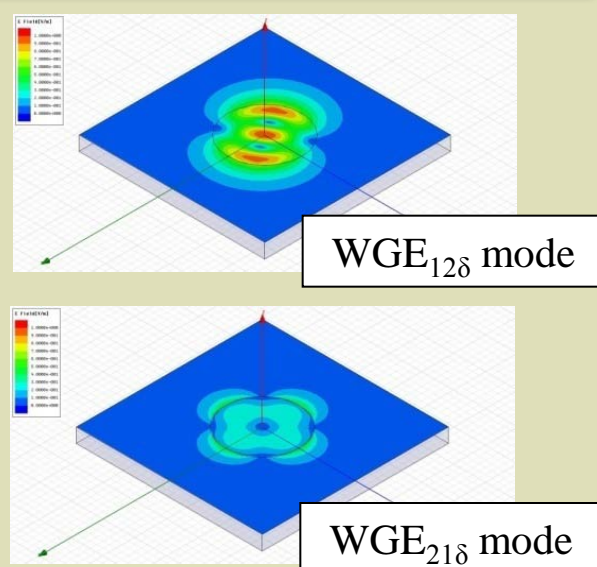


(c) Frequency response

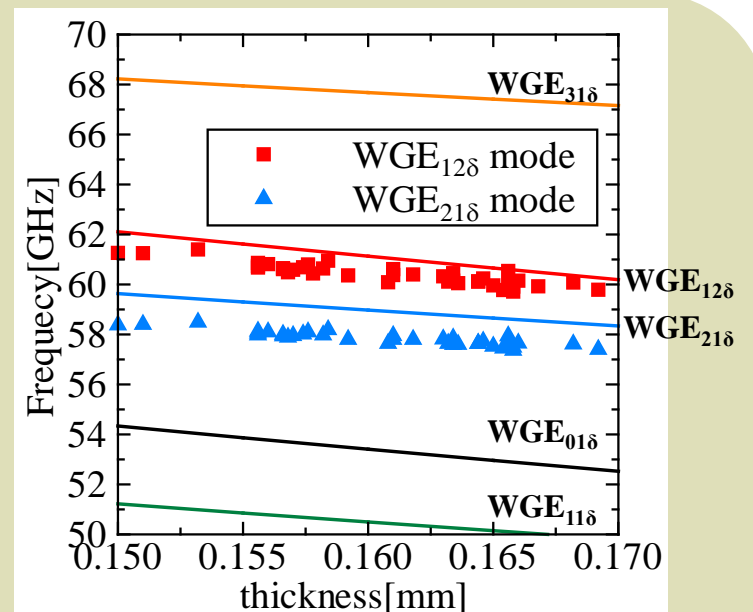
WG mode resonator for NRD guide circuit



(a) NRD guide circuit

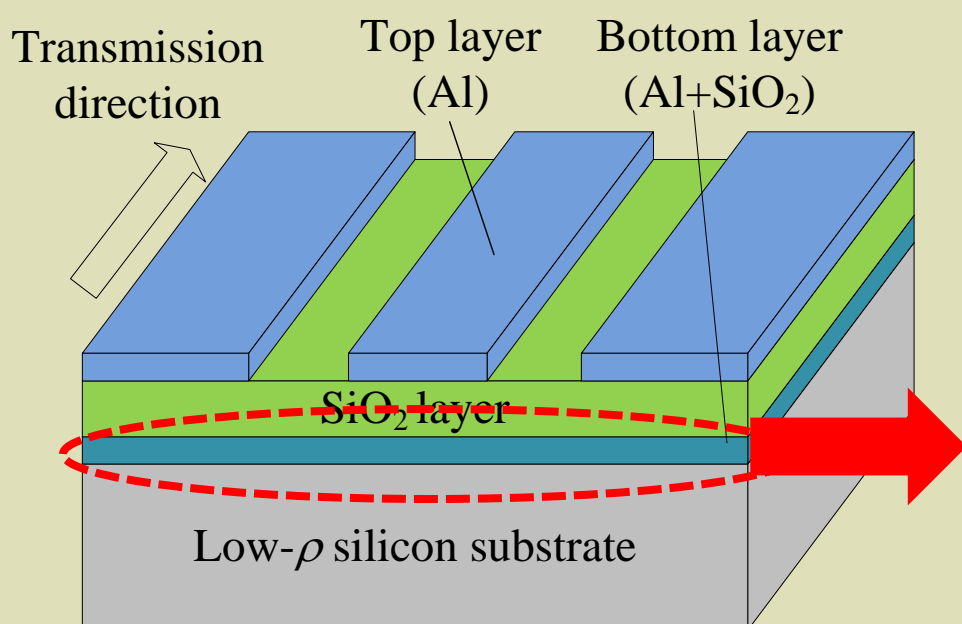


(b) E-field distribution

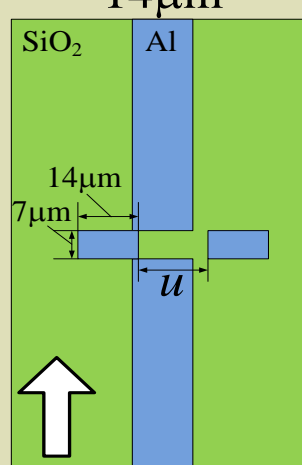
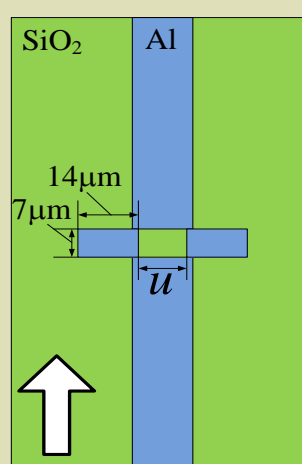


(c) Resonant frequency

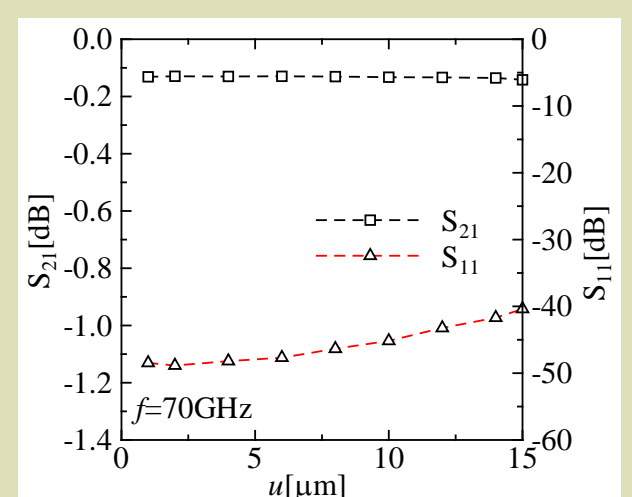
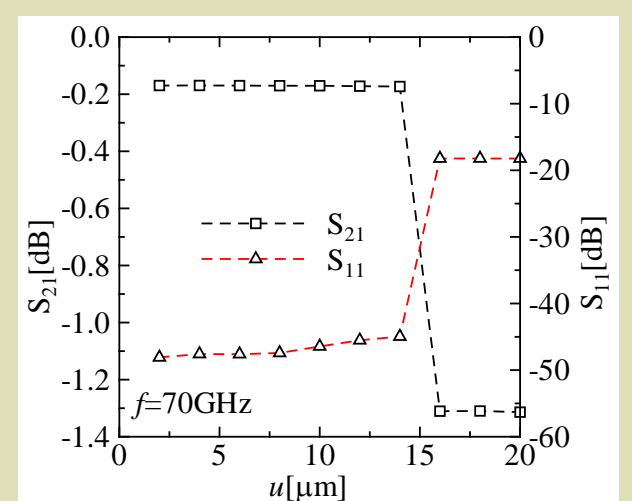
Study on low loss transmission lines for Si CMOS circuits



(a) Transmission line model



(b) Bottom layer



(c) Calculated results